



Decide with Confidence
DUNS NO. : 86-917-7745



AN ISO 9001:2015 COMPANY

PMT ENGINEERS

CHECK VALVE



- Sizes: 1/8" to 1"
- Pressure Ratings: 3,000 PSI, 6,000 PSI, 10,000 PSI
- NPT, ISO/BSP, Threads
- Stainless Steel (316L, 316, 304, 304L), Brass, Carbon Steel, Monel, Inconel

A Trusted Name in

Catalogue No.:- PMT-CV

Instrumentation Valves, Fittings & Accessories

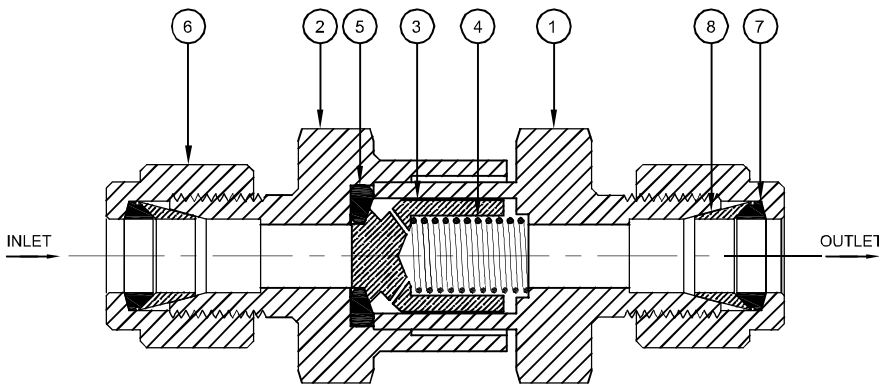
www.pmtvalvesfittings.com

PMT offer a wide range of Check Valves. These are specially designed & manufactured to control the flow of fluids and gases in corrosive & hazardous environment. Our range is widely used in process control, instrumentation and flow control applications. These valves are known for durability and maximum efficiency. This helps to provide high quality and low cost alternatives in fluid and gaseous control systems of different applications.

FEATURES :-

- Available in high grade stainless steel, brass materials
- Variety of end connections includes Male/Female threaded NPT, BSP, BSPT, ISO, DIN and JIS tapered pipe ends
- "O" ring poppet design for replaceable high integrity seal.
- Tight shut-off and accurate cracking pressure.
- Pressure / Temperature Ratings
- 100% factory tested for both crack & reseal
- Complete heat traceability
- Suitable for gas and liquids.

DESIGN & MATERIALS DESCRIPTION :-



ITEM NO.	PART NAME	MATERIAL	QTY.
1	BODY (OUTLET)	A479-316 S.S	1
2	BODY (INLET)	A479-316 S.S	1
3	POPPET	A479-316 S.S	1
4	SPRING	302 S.S	1
5	"O" RING	VITON/BUNA-N	1
6	NUT	316 S.S	1
7	FRONT FERRULE	316 S.S	1
8	BACK FERRULE	316 S.S	1

PRESSURE & TEMPERATURE RATINGS :-

PRESSURE RATING :-

316 SS.	1/8" to 3/4"	5000 psig CWP (345 bar)	QTY.
316 SS.	1"	3000 psig CWP (345 bar)	QTY.
BRASS	1/8" to 1"	3000 psig CWP (345 bar)	QTY.

WORKING TEMPERATURES :-

VITON SEAL	-15° F to 375° F (-26°C to 190°C)
BUNA-N RUBBER	-30° F to 275° F (-34°C to 135° C)
FLUOROCARBON RUBBER	-15° F to 400° F (-26°C to 204°C)
NEOPRENE RUBBER	-45° F to 250° F (-43°C to 121°C)



ORIFICE :-

1.078" to 0.656" (2.0mm to 16.7mm)

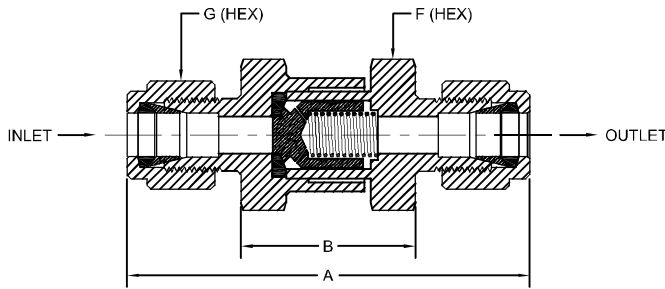
Cv FACTOR :-

0.18 to 6.56

NOTE:-

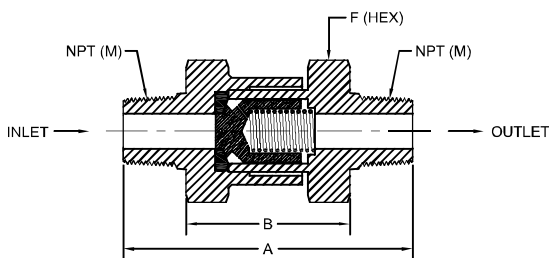
Valve may initially crack at higher than subsequent cracking pressure if are not actuated for a period of time.

OD - OD CHECK VALVE



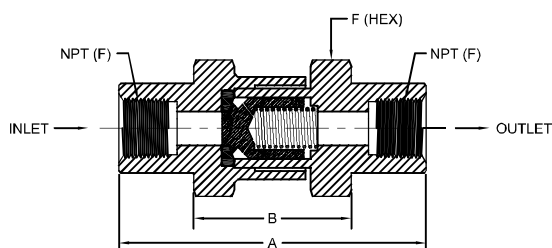
PART NO.	INLET	OUTLET	A	B	F HEX	G HEX
PMT-CV-02-OD	1/8" OD	1/8" OD	68.50	33.50	19.00	11.00
PMT-CV-M06-OD	6mm OD	6mm OD	72.00	33.50	19.00	14.00
PMT-CV-04-OD	1/4" OD	1/4" OD	72.00	33.50	19.00	14.00
PMT-CV-04-04M-MOD	1/4" MALE NPT	1/4" OD	66.00	33.50	19.00	14.00
PMT-CV-04-M06-MOD	1/4" MALE NPT	6mm OD	66.00	33.50	19.00	14.00
PMT-CV-M08-OD	8mm OD	8mm OD	72.00	33.50	19.00	16.00
PMT-CV-06-OD	3/8" OD	3/8" OD	73.50	33.50	19.00	17.50
PMT-CV-M10-OD	10mm OD	10mm OD	74.50	33.50	19.00	19.00
PMT-CV-08-OD	1/2" OD	1/2" OD	79.00	34.00	22.00	22.00
PMT-CV-08-08-MOD	1/2" MALE NPT	1/2" OD	76.00	34.00	22.00	22.00
PMT-CV-08-M12-MOD	1/2" MALE NPT	12mm OD	76.00	34.00	22.00	22.00
PMT-CV-M12-OD	12mm OD	12mm OD	79.00	34.00	22.00	22.00
PMT-CV-10-OD	5/8" OD	5/8" OD	106.00	60.00	32.00	25.40
PMT-CV-M16-OD	16mm OD	16mm OD	106.00	60.00	32.00	25.40
PMT-CV-12-OD	3/4" OD	3/4" OD	106.00	60.00	32.00	25.40
PMT-CV-12-12-MOD	3/4" MALE NPT	3/4" OD	102.50	60.00	32.00	28.50
PMT-CV-16-OD	1" OD	1" OD	118.00	65.00	35.00	38.00
PMT-CV-16-16-MOD	1" MALE NPT	1" OD	118.00	65.00	35.00	38.00
PMT-CV-M25-OD	25" OD	25mm OD	118.00	65.00	35.00	38.00

MALE-MALE CHECK VALVE



PART NO.	INLET	OUTLET	A	B	F HEX
PMT-CV-02-MM	1/8" MALE NPT	1/8" MALE NPT	53.50	33.50	19.00
PMT-CV-04-MM	1/4" MALE NPT	1/4" MALE NPT	62.50	33.50	19.00
PMT-CV-06-MM	3/8" MALE NPT	3/8" MALE NPT	62.50	33.50	19.00
PMT-CV-08-MM	1/2" MALE NPT	1/2" MALE NPT	73.00	34.00	22.00
PMT-CV-12-MM	3/4" MALE NPT	3/4" MALE NPT	99.00	60.00	32.00
PMT-CV-16-MM	1" MALE NPT	1" MALE NPT	115.00	65.00	35.00

FEMALE-FEMALE CHECK VALVE



PART NO.	INLET	OUTLET	A	B	F HEX
PMT-CV-02-FF	1/8" FEMALE NPT	1/8" FEMALE NPT	50.00	33.50	19.00
PMT-CV-04-FF	1/4" FEMALE NPT	1/4" FEMALE NPT	60.00	33.50	19.00
PMT-CV-06-FF	3/8" FEMALE NPT	3/8" FEMALE NPT	60.00	34.00	22.00
PMT-CV-08-FF	1/2" FEMALE NPT	1/2" FEMALE NPT	84.00		32.00
PMT-CV-12-FF	3/4" FEMALE NPT	3/4" FEMALE NPT	84.00		35.00
PMT-CV-16-FF	1" FEMALE NPT	1" FEMALE NPT	98.50		40.00

Dimensions are for reference only and are subjected to change.

Valves

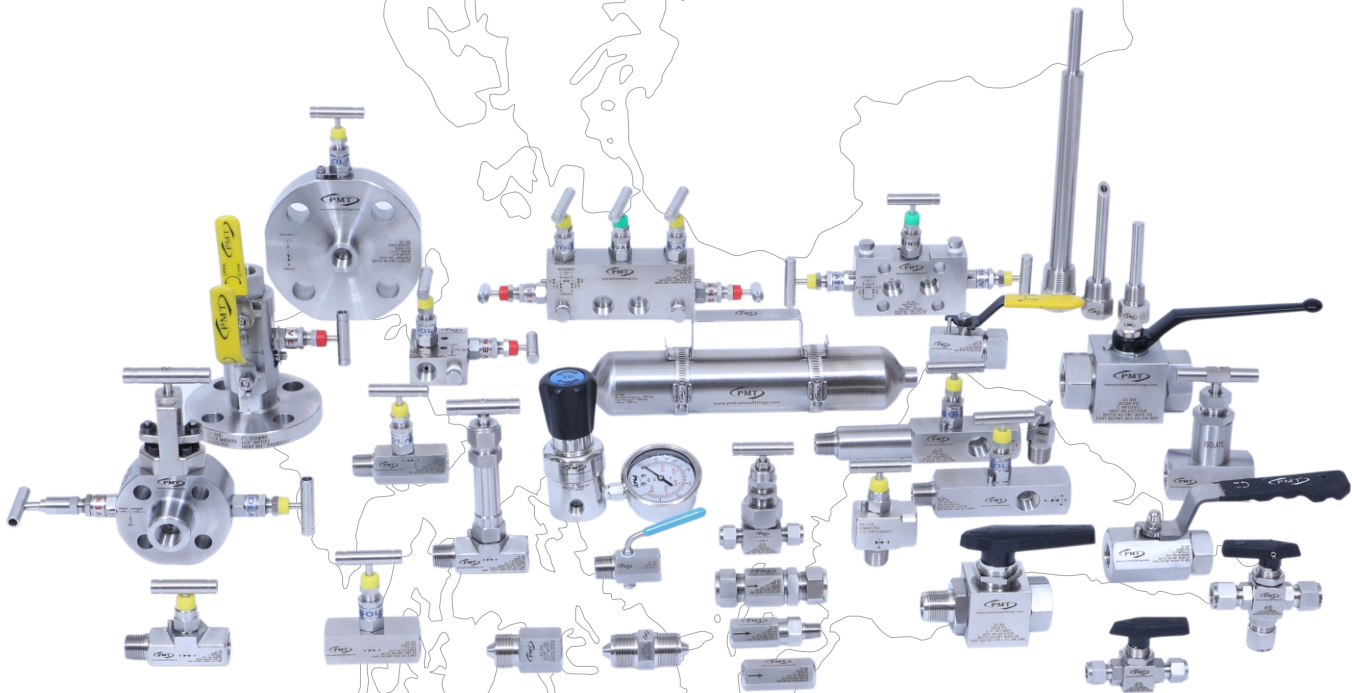
- Needle Valves
- Manifold Valves
- In Line Check Valve
- Proportional Relief Valves
- Instrument Ball Valves
- Mono Flange Valves
- Integral Block & Bleed Valves
- Bleed & Purge Valves
- Thermowells
- Pressure gauge Accessories

Forged Steel Valves

- Forged Steel Globe Valves (Cryogenic Available)
- Forged Steel Gate Valves (Cryogenic Available)
- Forged Steel Lift check Valves
- Forged Steel Ball Valves (Cryogenic Available)

Fittings

- Tube Fittings
- Pipe Fittings
- High Pressure Pipe Fittings
- Hydraulic Fittings
(DIN 2353, JIC Fittings, ORFS Fittings)



AN ISO 9001:2015 COMPANY

C-6, Shreeji Industrial Estate, Nr. Telephone Exchange,
N. H. No.-8, Naroda, Ahmedabad-382 330, Gujarat, India.

Tele.\ Fax : +91 079 22823117

Mobile : 091-9825097602/9712997602

E-mail : sales@pmtvalvesfittings.com, info@pmtengineers.com

Web : www.pmtvalvesfittings.com

